



RENAULT TRUCKS  
**E-Tech D/  
D Wide / D Wide LEC**

[renault-trucks.com](https://renault-trucks.com)

**> RENAULT TRUCKS  
E-TECH**



**RENAULT  
TRUCKS**

# Make the switch to electric mobility smoothly with Renault Trucks



## Renault Trucks, the expert partner for your decarbonisation journey

As professionals in the haulage sector, you need solid and dependable support in the switch to electromobility. Renault Trucks is by your side throughout your decarbonisation plan, providing support based on experience.

We have been producing and selling electric vehicles for over 10 years, and our Renault Trucks E-Tech range has covered 8 million kilometres. Renault Trucks E-Tech D and Renault Trucks E-Tech D Wide vehicles have been in serial production since 2020 at our Blainville facility in France.

Our experts are specialists in customer relations and maintenance, undergoing continuous training to ensure your energy transition is a success.

With their knowledge in light commercial and heavy commercial vehicles, they are best-qualified to support you in your transition to electromobility.

Together, we are moving forward with simplicity, pragmatism, warmth and commitment.

#JoinTheGoodMove



8 000 000  
kilometres

covered by our current  
Renault Trucks E-Tech range\*

\*Mid September 2023

# Our support milestones for your electric transition

We make sure you can reach your CO<sub>2</sub> emission reduction objectives, continue your daily business and optimise your TCO\*.

\*Total Cost of Ownership

## From pre-sale to operation, our experts support you on your decarbonisation journey in four steps



Our local Energy Transition specialists will be with you all along your transition to electric



# Renault Trucks is by your side at every step

## STEP 1 We understand your needs

We actively listen to your needs for decarbonising road freight and provide detailed explanations of the various available options.



## We take ownership of your objectives

Have you made a commitment to decrease your CO<sub>2</sub> emissions? Are you required to comply with a forthcoming Low/Zero Emission Zone? Are your customers demanding a more environmentally friendly mode of transportation?

- We are committed to understanding your objectives and limitations, and we will prioritise them as our target.

## We explain all options to decarbonise

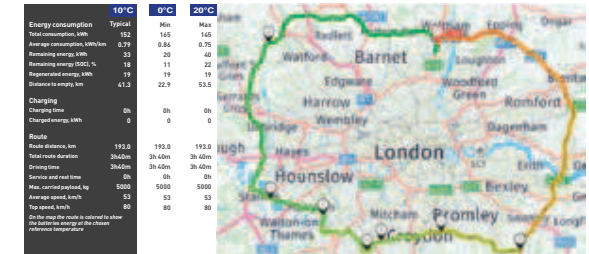
There are various potential energy sources and technologies available (such as bio-energies, hydrogen, and electricity), and you are seeking to determine which ones best align with your specific needs?

- We will provide you with our comprehensive assessment for each option, outlining their respective impacts on CO<sub>2</sub> emissions, energy efficiency, TCO and operational considerations.

## STEP 2 We analyse your fleet and routes to predict your range

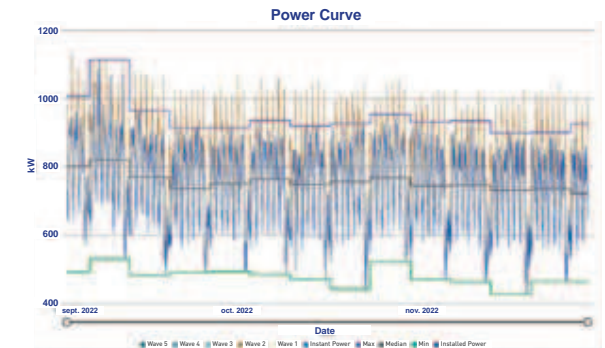
We use our Range Simulator to make sure your range need is covered and conduct an electric audit of your site. We simulate your site energy consumption to fit with your fleet electrification.

We simulate your real operations to confirm your switch to electric



- Using our Range Simulator tool, our experts will assess the energy consumption of your vehicle, taking into account its actual usage, GPS route, and any factors that may affect its consumption (such as weather conditions, topography, and speed).
- The results, presented in a user-friendly and visually appealing manner, will provide you with a clear understanding of your vehicle's operation throughout the year and highlight the need for any intermediate charging solutions.

We analyse the power curve of your site and we simulate additional need



- With our Power Simulation tool, our experts will analyse the site energy consumption in connection with your grid operator, and add the impact of fleet electrification.
- Our analysis will provide insights into the available power capacity for a selected charging infrastructure, as well as develop a timeline and cost simulation for grid upgrades.
- Additionally, we will determine the optimal location for the charging infrastructure, provide cost estimates, and determine the associated power requirements to maximise your operational efficiency.

STEP  
3

## We design your electric solution for urban and peri-urban activities

We create a complete offer: truck, charging, services and financing (including public incentives advice).



### The Renault Trucks E-Tech D, D Wide and D Wide LEC

- Are perfectly suited for your urban and peri urban activities such as waste collection, general freight, refrigerated goods & light construction.
- 85% noise reduction inside the cab for improved comfort and peace of mind at the wheel.
- These are qualified solution to operate for:
  - Science Based Targets Initiative (SBTI)
  - Zero/Low Emission Zones
  - CO<sub>2</sub> regulated industries

**A range up to 560 km\***

**For new GSR features, request the dedicated leaflet from your local contact.**

\*Actual range may depend on several factors, such as driving speed, use of cruise control, vehicle specifications, terrain topography, driver experience, vehicle maintenance and weather conditions.

**Our truck is suitable for all types of charging up to 150 kW and equipped with a standard connector compatible with AC and DC chargers**

4x 66 kWh			
Charger	Amperage	50% charge	80% charge
43 kW AC**	63 A	2h40	4h15
100 kW DC	125 A	1h20	2h00
150 kW DC	200 A	0h50	1h20

4x 94 kWh			
Charger	Amperage	50% charge	80% charge
43 kW AC**	63 A	3h45	6h10
100 kW DC	125 A	1h40	2h40
150 kW DC	225 A	1h10	1h50

\*\* Onboard charger

### Fast charging time

- Fully charged in under 2h (150 kW DC).



# Our charging solutions are adapted to your needs

Renault Trucks perform an audit of your on-site charging facilities in to provide complete charging solutions and we are committed to support public charging deployment to reach maximum productivity and uptime.

## Rely on our energy experts to adapt your electric infrastructure

- Get a detailed analysis of your current power and energy need.
- After your fleet analysis, an on-site power impact simulation is done with your electric trucks.
- Our professional electricity partners will build your new power roadmap and guide you on higher-capacity solutions.
- We ensure your new charging infrastructure is positioned based on your operational needs.



## Choose upon our charging devices options

- For overnight charging, you can use our AC 43 kW wall-box.
- For more intensive charging requirements, we will connect you with our partner's to get the best devices and supervision software.\*

\*List of compatible chargers available at the dealership.

## Stay relaxed with our charging maintenance

- Our team and partners secure the right civil and electrical works on your site based on our analysis.
- Commissioning, specific trainings and 24/7 maintenance are included in your charging maintenance.

## Rely on our strong commitment to deploy public charging

- Renault Trucks, as part of Volvo Group, is highly involved into the largest charging infrastructure investment in the European heavy-duty truck industry to date.
- 1700 charging points will be available by 2027 through Europe.

# Tailored services to maximise uptime and peace of mind

Included during 8 years for every truck purchase:

## Secure your routes and energy consumption with Optifleet

### Optifleet CHECK\*

Analyse the performance of your trucks thanks to reports including data on battery usage, power take-off (PTO) information, load, brake usage, energy consumption.

### Optifleet MAP\*

Monitor your trucks through:

- Real-time data: truck geolocation, speed indication, battery level, driver ID card, mileage.
- Advanced features: management of Points Of Interests (POIs) and geofencing capabilities, route history.

### Optifleet MISSION\* <sup>NEW</sup>

- Plan the best route for your electric truck, based on vehicle profile, transported load, initial battery level, road restrictions and anticipate the charging stops.
- Share the itinerary with your drivers.

\*More capabilities information available at your dealer.



## Ease your driving experience with Driver App <sup>NEW</sup>

- Benefit from charge monitoring with range left and alerts in case of charging interruption.



## Ensure your uptime and productivity with our Serenity pack <sup>NEW</sup>

More than a maintenance and repair contract, benefit from predictive capabilities, as well as personalised reports and data support on the CO<sub>2</sub> & usage of your Renault Trucks E-Tech fleet.

PREVENTIVE MAINTENANCE
+
WEAR PARTS
+
REPAIR
+
TOWING
+
BATTERY PACK MONITORING
+
KEY CO <sub>2</sub> & USAGE REPORTS
+
1 YEAR CUSTOMER DATA SUPPORT*

\*Support services period can be extended.

# Tailored services to maximise uptime and peace of mind

## Advice on optimising TCO and carbon footprint

Renault Trucks can help you to calculate the TCO of your electric vehicle solution and evaluate the associated CO<sub>2</sub> savings. With our custom-built tool, the "TCO<sub>2</sub> Calculator", our experts can provide you with the best possible view of your transition to electromobility:



### Get an understandable comparison

the closest possible view of the TCO of an electric truck compared to a diesel or gas truck.



### Adjust the various factors that impact TCO

duration, miles/kilometres, energy cost, simulation of the different purchasing subsidies and tax breaks.



### Calculate and compare CO<sub>2</sub> emissions

for the different energy sources over the lifetime of the vehicle, based on a variety of scenarios. The results of the simulation will give you a quick idea of the total expenses, energy costs and potential CO<sub>2</sub> reductions.

## Finance your electric transition

Benefit from support tailored to your needs across all aspects of financing and insurance to facilitate your transition to electric vehicles.



### Financing and subsidies

- Administrative support with governmental incentives\*.
- Advice on suitable financing, insurance products and plans for electric vehicles.
- Possibility to include the financing of the charging infrastructure\*.

With fixed monthly payments that include the vehicle, financing, insurance, maintenance contract and charging infrastructure, Renault Trucks Financial Services offers you the opportunity to switch smoothly to electric vehicles.

\*Available depending on the country.



## STEP 4 We support your implementation and operations

We monitor your truck efficiency, provide you with a comprehensive network and minimum energy availability commitment to maximise your uptime.

### Benefit from a customised support during usage

#### Get an operational performance support

- We will support you in your first steps with your new electric trucks operational performance.

#### Understand usage of your electric trucks

- Our reports will help you understand the use of your truck to get the best out of it.

#### Build action plans

- Our experts will help you to build action plans for a better productivity of your fleet.



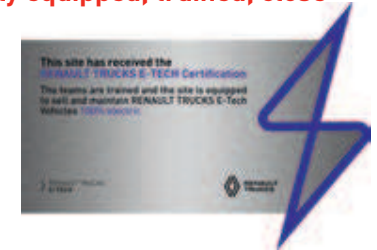
## Rely on our network and our energy commitment

With almost 1400 services points across Europe, there is always a dealer near you.

### A Renault Trucks E-Tech certified network fully equipped, trained, close to you and always available

- Expert technicians trained in electrical solutions.
- Extended opening hours, including Saturday mornings\*.
- Fast appointments for repairs and maintenance.

\*Depending on Renault Trucks authorised dealers.



### Renault Trucks secures energy availability

With the Serenity pack, we ensure the full performance of your batteries and commit on a minimum amount of usable energy per full charge.

Renault Trucks secures the energy availability from our batteries during a maximum of **10 years**.

	Minimum available energy commitment after a full charge in kWh	Technical limit of total energy delivered in MWh
200 kWh (3x66 kWh)	126	225
265 kWh (4x66 kWh)	168	300
330 kWh (5x66 kWh)	211	375
400 kWh (6x66 kWh)	253	450
280 kWh (3x94 kWh)	180	300
375 kWh (4x94 kWh)	240	400
470 kWh (5x94 kWh)	300	500
565 kWh (6x94 kWh)	360	600



# Find out more about our offer

## A large choice of electric motors and traction batteries

Cab	Type	Configuration	GCW	GCWR	Chassis	Engine	Power	Batteries	Range
Renault Trucks E-Tech D Cab 2.1m	Rigid	4x2	16t	16t	MEDIUM 19.5" wheels	1 electric motor Maximum torque: 425 Nm	Maximum: 185 kW Continuous: 130 kW	200 kWh to 565 kWh	Up to 560 km
Renault Trucks E-Tech D Wide Cab 2.3m*	Rigid	4x2 6x2	19t 26t	19t 26t	HIGH 22.5" wheels	2 electric motors Maximum torque: 850 Nm	Maximum: 370 kW Continuous: 260 kW	200 kWh to 375 kWh	Up to 315 km

\* Renault Trucks E-Tech D Wide Low entry cab is based on the Renault Trucks E-Tech D Wide 6x2 26t 2.3m cab. Cab lowered by 200 mm and extended by 600 mm.

## Proven Technology



### Technical expertise in batteries

Lithium-ion NMC (66 kWh pack) or NCA (94 kWh pack) technology cells supplied by Samsung. Batteries assembled in the Volvo Group factory of Ghent in Belgium.



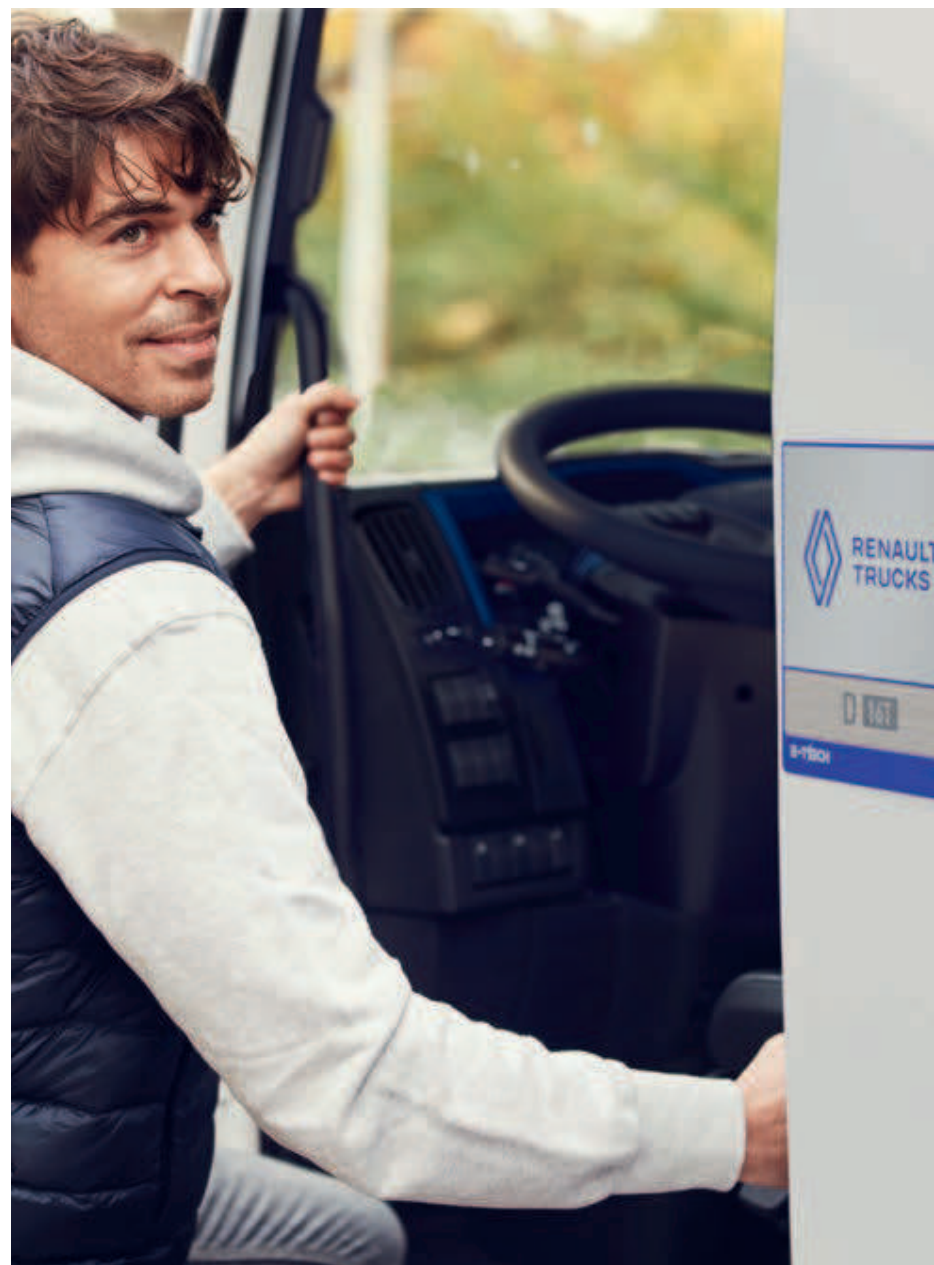
### Responsible supply chain

Supply chain audits are conducted to minimise the environmental and societal impact of our suppliers as well as their own suppliers (e.g.: Cobalt). The batteries are assembled in Europe. The vehicles are assembled in France.



### Responsible recycling

Recycling is the responsibility of Renault Trucks as soon as the batteries are returned to Renault Trucks authorised dealers. There is a range of second life options for vehicle batteries, such as stationary energy storage equipment or energy supply for buildings (hospitals, stadiums, housing, etc.).



## Key features offer

	Renault Trucks E-Tech D	Renault Trucks E-Tech D WIDE	Renault Trucks E-Tech D WIDE
<b>Renault Trucks E-Tech range</b>			
Total permissible weight	16 tonnes	19 tonnes	26 tonnes
8-year Optifleet CHECK	●	●	●
8-year Optifleet MAP+	●	●	●
Optifleet MISSION	●	●	●
Driver App	●	●	●
<b>Cab</b>			
Day cab	●	●	●
Global cab	○	○	○
Air conditioning	●	●	●
Heated windscreen	●	●	●
<b>Power train</b>			
1 electric motor (130 kW)	●	-	-
2 electric motors (260 kW)	-	●	●
Rear axle ratio	4.5	5.29	5.29
200 kWh batteries – 3 packs of 66 kWh	○	○	○
265 kWh batteries – 4 packs of 66 kWh	●	●	●
330 kWh batteries – 5 packs of 66 kWh	○	-	-
400 kWh batteries – 6 packs of 66 kWh	○	-	-
280 kWh batteries – 3 packs of 94 kWh	○	○	○
375 kWh batteries – 4 packs of 94 kWh	○	○	○
470 kWh batteries – 5 packs of 94 kWh	○	-	-
565 kWh batteries – 6 packs of 94 kWh	○	-	-
<b>Chassis</b>			
Full air suspension	●	●	●
Power take-off (electric motor)	○	○	○
+600 V DC connection (temperature-controlled application)	○	○	○
Chassis fairing	●	●	●
Aluminum wheels	●	●	●
Tyre dimensions	285/70	315/80	315/80
<b>Packs</b>			
Comfort pack	●	●	●
Safety pack	●	●	●

● standard ○ optional – not applicable

## Available wheelbases (mm)

	3800	3900	4100	4300	4400	4500	4700	4750	5000	5250	5300	5500	5600	5800	5900	6100	6200	6450	6500	6800
Renault Trucks E-Tech D 16t 4x2	■		■		■		■		■		■		■		■		■		■	
Renault Trucks E-Tech D Wide 19t 4x2		■	■	■		■		■	■	■		■		■		■		■		■
Renault Trucks E-Tech D Wide 26t 6x2		■	■	■		■		■	■	■		■		■		■				

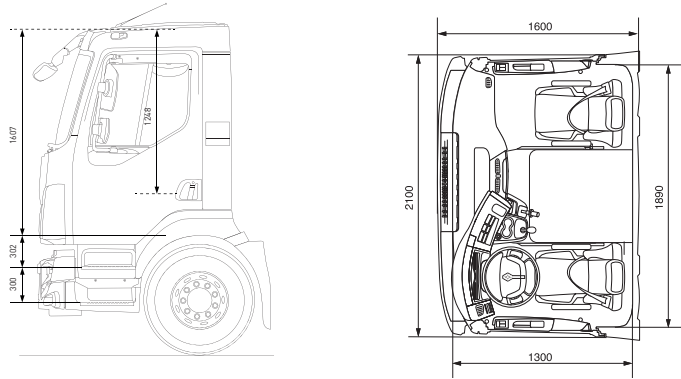
■ Wheelbases available



# Cab types

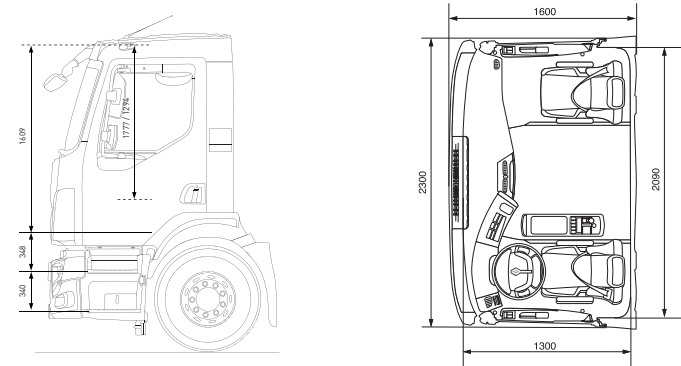
## Renault Trucks E-Tech D (2.1 M Cab)

### Day cab

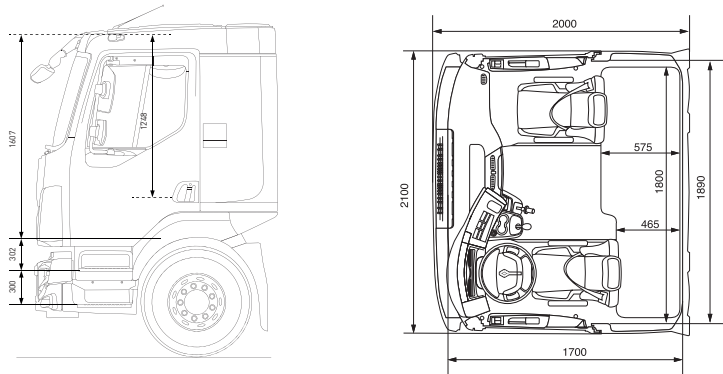


## Renault Trucks E-Tech D Wide (2.3 M Cab)

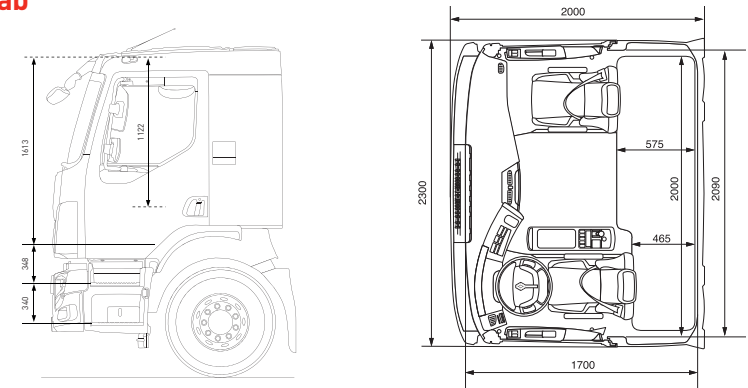
### Day cab



### Global cab



### Global cab





05/2023

Dimensions and characteristics are only indicative.  
The manufacturer reserves the right to modify them without notice.  
Renault Trucks SAS with a capital of € 50,000,000 - 954 506 077 RCS



**RENAULT  
TRUCKS**

[renault-trucks.com](https://renault-trucks.com)